

1. General information

ETH-8008 is a standard 0/1-10V intelligent dimmer for LED lighting brightness adjusting, and with manually knob adjusting and IR wireless remote adjusting optional. It suitable to control the LED dimming driver and electronic rectifier which based on 0/1-10V dimming signal, to adjust the brightness of the LED lamp or fluorescent lamp, etc. It has grey scale level 256, with scheduled shut down (1-4 hours), brightness hot key and fixed grey output functions.

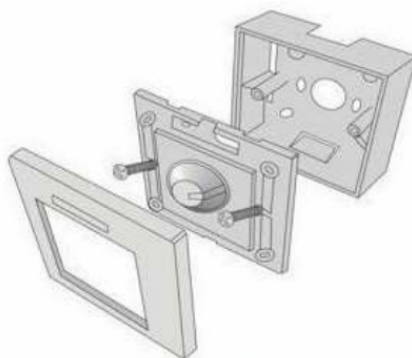
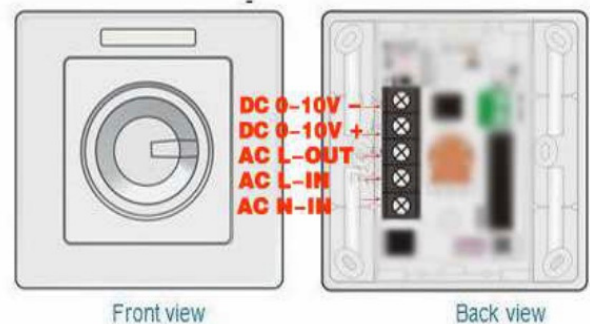
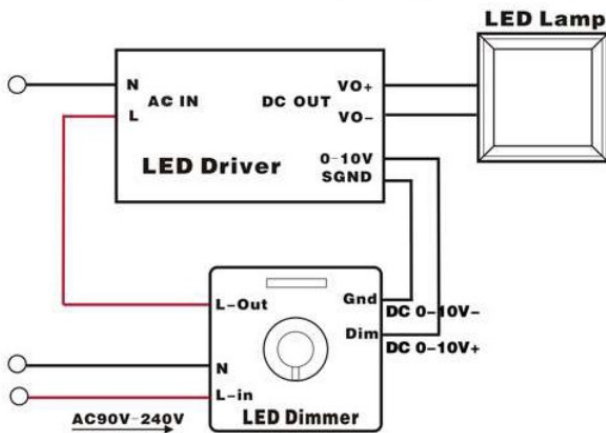
2. Specifications

- 1) Max load power: 800w
- 2) Supply voltage: AC90-240V 50/60Hz
- 3) Output: 1 channel
- 4) Switch Max current: 5A
- 5) Adjust the voltage and current: 10%-90%
- 6) Dimming range: 0-100%, no frequency glisten
- 7) Control mode: Manually and IR remote
- 8) Angle of rotation: 320
- 9) Dim voltage: 0-10V
- 10) Scheduled shut down: 1-4 hours
- 11) Remote distance: 10M
- 12) Compatible above 90% led driver which based on standard 0/1-10V dimming signal
- 13) OEM and ODM is welcome

3. Installation and use instructions

- 1) The input voltage of this controller should to be AC90 -240V.
- 2) Never connect two wires directly in case of short circuit.
- 3) Knob operation : Rotary knob clockwise to increase brightness, knob counterclockwise rotation will decrease the brightness.

Remote control operation : the remote control facing the infrared receiver, ensure that there are no obstructions between remote controller and receiver, when dimmer receives an effective signal from the infrared remote control, the light on the upside flickers.



4. Notice:

Please touch the motherboard while dimmer is connecting to AC power, and setup must according technical guide

5. Warranty of this product is one year, but exclude the artificial situation of damaged or overload working.